

Thermodynamic Solar System with one Solar Panel + Supplementary Coil



Specifications		Eco 250ix	Eco 300ix
Nominal Capacity	l	250	300
Thermal Power (Med/Max)	W	1690/2900	1690/2900
Power Consumption (Med/Max)	W	390/550	390/550
Temperature (Factory Setpoint)	°C	52	52
Maximum Temperature	°C	70	70
Max. Amount of water at 40°C in a run (St.)	l	325	370
Maximum Operation Pressure	bar	6	6
Number of Panels		1	1
Liquid Line	Pol.	1/4	1/4
Suction Line	Pol.	3/8	3/8
Electrical back-up power	W	1500	1500
Gross Weight of Cylinder (St.)	Kg	69	81
Electrical Supply	V/Hz	230/50-60	230/50-60

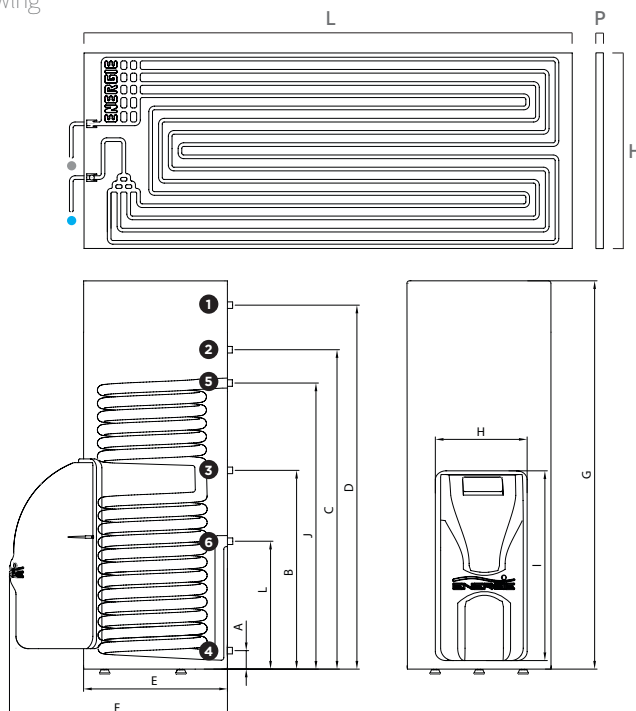
Allows the connection of another heat source
Easy install
Equipment with fluid pre-charge



Technical drawing

L-2000mm
H-800mm
P-20mm

- Steam line
- Liquid line



Dimensions
(mm)

	Eco 250ix	Eco 300ix
A	74	74
B	815	815
C	1326	1543
D	1454	1671
E	580	580
F	880	880
G	1530	1750
H	370	370
I	765	765
J	1251	1251
L	681	681
1 (Hot Water)	3/4" Male	
2 (PT Valve)*	1/2" Female	
3 (Recirculation)	3/4" Male	
4 (Cold Water)	3/4" Male	
5 (Coil Inlet)	1" Male	
6 (Coil Outlet)	1" Male	

With flares valves on the solar panel and on the thermodynamic group
With dielectric threads for water connections

*Optional